

Mercury RV Water Heaters

Duoetto MK2

Aqueous MK2

DUO-10/AQU-10

*****WARNING ! *****

DO NOT power on device without water, ever. (Permanent Damage will result)

www.ausj.com.au

sales@ausj.com.au

The most up-to-date version of the manual is available at www.ausj.com.au.

QUICK INSTALLATION GUIDE: (Aqu-10)

- 1 – Mount Heater
- 2 – Connect Pressure Valve to cold, connect cold water hose.
- 3 - Connect HOT Water hose

- 4 -FILL with water check for leaks
- 5– PLUG IN Power (Standard Household Power Point 240v)
- 6– Switch on , heat up, check all hose connections for leaks.

QUICK INSTALLATION GUIDE: (DUO)

- 1 – Mount Heater
- 2 – Connect Pressure Valve to cold, connect cold water hose.
- 3 - Connect HOT Water hose

- 4 -FILL with water check for leaks
- 5 – PLUG IN Power (Standard Household Power Point 240v)
- 5a – Connect LARGE RED wire to (+) 12V Power sources. BLACK wire to negative (-)

- 5b – Connect Small RED wire to (+) 12V Power sources. BLACK wire to negative (-)

- 6 – Switch on , heat up, check all hose connections for leaks.

Thank you for your purchase of the DuoettoMK2 Dual Voltage Water Heater! This device is approved to European Quality Standards, CE, AS/NZS 60335.2.21: 2002 A1-3 and has obtained WaterMark certification. This unit is a simple system with high quality parts designed to meet your needs. Please read the instruction manual for maintenance and correct installation and operation of your heater.

Should any fittings be required for your installation, we have a range which can be viewed on our website.

1. Product Features

Intelligent

The DuoettoMK2 and Aqueous MK2 units have an advanced thermostat. This thermostat allows the water temperature to be set between 30°C and 75°C on 240VAC or 30°C and 70°C on 12VDC.

Durable and Elegant

The exterior shell is made of high quality robust material , The tank inside is made of SPCC steel & enamel.

Environment Friendly and Efficient

The polyurethane insulation provides excellent heat preservation, saving electricity by maintaining the temperature.

Multi-Functional Protection

Over-temperature cutout. Run Dry Protection. Over pressure protections all work in sync to make this a reliable and safe water heating option.

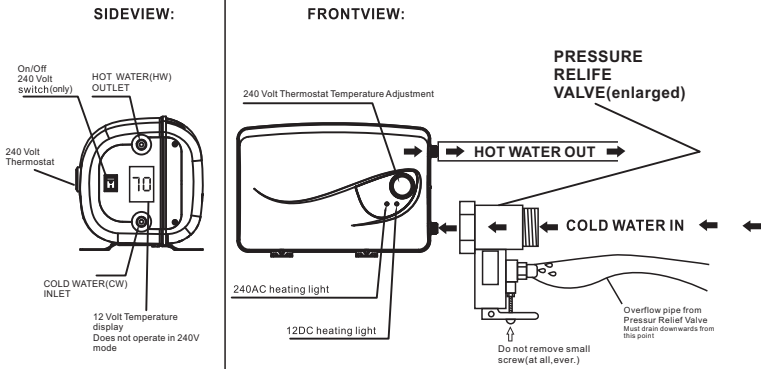
MODEL: DUO-10, AQU-10

Electric Storage Water Heater

2. Accessories and Data

The following accessories are included with your unit.

No.	Item	Quantity
1	Duoetto/Aqueous MK2water heater	1
2	Mounting brackets	2
3	Bracket bolts and washers	4
4	Self-tapping screws	8
5	Combined pressure relief valve	1
6	Owner's manual	1



3. List of Technical Parameters

	DUO-10		AQU-10
	240V AC	12VDC	240V AC
Rated Volume (L)	10L		10L
Rated Temperature (C)	30°C to 75°C	30°C to 70°C	30°C to 75°C
Rated Voltage (V)	240V AC	12VDC	240V AC
Rated Power(W)	1000W	300W	1000W
Rated Current(A)	4.2A	25A	4.2A
Rated Frequency (Hz)	50Hz		
Rated Tank Pressure(MPa)	0.85MPa / 117 psi		0.85MPa
Weight(Kg)	7.4kg		7.4kg
Dimensions(mm)	409x267x269mm		409x267x269mm
Mounting Mode	Horizontal		Horizontal

4. Safety Cautions

Electrical safety requires that this unit be earthed according to the working rules of installations of electrical goods.

The location this water heater is installed in should be able to support four times the weight of the watersystem when it is full of water (Approx. 40kg).

The water heater must be filled with water before being given power during the first use. The water heater is not allowed to heater without water (run dry).

The power socket must be earthed.

Don't handle the plug with a wet hand.

Do not operate this device if the cord, feed or plug is damaged in any fashion.

Don't replace the safety valve with any unauthorized products.

5. Installation

1 - Mounting the Heater (must be horizontal)

- Fit the brackets to the unit using the bolts and washers
- Using the supplied screws, fix the brackets to the floor/wall (you may have to predrill holes)

Warning: The wall or floor must be strong enough to support four times the weight of the heater filled with water (Approx. 40kg).

2 - Pipe Connection

- Screw the combined pressure relief /non return valve (1 part) onto the cold water inlet. (Standard ½" BSP Connection) It is recommended that you use either a liquid thread sealer or plumbers thread tape.
- **If the water pressure exceeds 85MPa = 850 kilo-pascal = 123PSI or water flows constantly from the pressure relief valve hose a pressure reducing valve must be used on the cold water inlet. (Available from plumbing stores or ausj website)**

1. 2 Connect the cold water pipe to pressure relief valve

3 – Connect hot water pipe to outlet on the unit (½" Thread BSP).

4 – Connect the overflow hose to pressure relief valve outlet and route to adequate drainage . Hose must be in continuous downward direction lower than the heater to avoid water leaks.

5 - You are now ready to turn on cold water supply and FILL the tank to check all connections for leaks. Do so.

if LEAKS = Fix them

NO LEAKS = You are ready to power on and HEAT water

6 – Plug in to 240v power outlet , switch on, adjust temperature dial to desired output temperature

7 – For 12Volt operation, connect 5mm LARGE RED wire to + (positive) and LARGE BLACK to Negative (-) to battery.

(If your battery is further away than the length of cable supplied with heater, refer to chart for suitable 12V Extension cable size. Please note a 12V 50amp fuse should be fitted at battery connection) Refer to section 9 for appropriate cable sizing.

-

8 – Connect the small black wire to earth / negative (-)

9 – Connect small red wire to switched power source. (LED display will light up)

This is crucial for 12v operation of the heater.

- Important: To avoid draining the engine crank battery, the red small positive wire must be connected to a switch or an ignition source. (Applicable for the DUO-10/12V type only).

-

6. Methods of Usage

On/Off Switch: Controls 240VAC heating. When it switches on, the 12VDC heating will not work. The water heater will be heating on 240VAC power.

DC LED: A blue light indicates 12VDC heating. It will turn off when the heater is being powered by 240VAC.

Button Function:

+/"-"button = Set the heating temperature, 1°C increments .

Display:

88

Digital display show the setting temperature and actual temperature .

Shows the setting temperature (Digital display flashes), After 5S it will show actual temperature in the tank.

Error tips

Temperature sensor open/short circuit: display shows "E1";

Thermostat: The thermostat controls 240VAC heating.

Over Temperature Protection: This protects the water heater from overheating. It disconnects a heating element at temperatures in excess of 85°C (12VDC) or 90°C (240VAC). Safety systems cannot automatically reset.

Over Pressure Protection: When the internal pressure is higher than the rated tank pressure the safety valve will automatically release pressure. It is normal that water is blown down from the pressure relief outlet.

7. Guarantee / Warranty

The guarantee on this water heater is 24 months within Australia (from the date of sale).

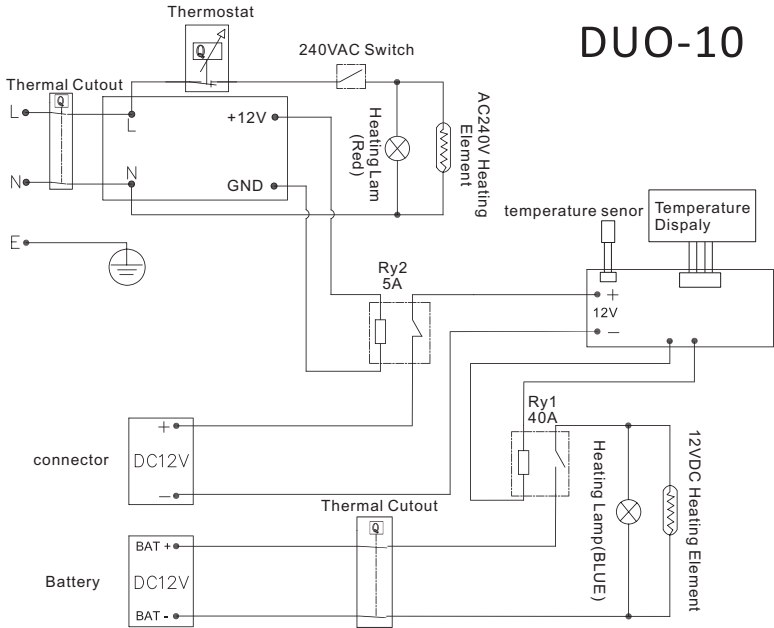
Supply of spare parts is carried out free of charge within the warranty period.

Note: Infringement of the instruction manual procedures cancels the warranty period and any complaints will not be accepted.

8. Circuit Diagram

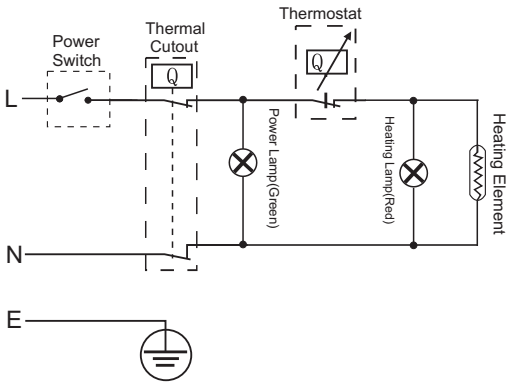
Only install your appliance in accordance with any state or territory regulations with a qualified installer.

ELECTRICITY DIAGRAM



DUO-10

No notice to any change of the diagram



AQU-10

9. 12V DC Cable Length and Current Capacity Guide

Current, Length (Twin) to area (sq mm)

12.6VDC, current carrying capacity(CCC)(top) then follows 5% volt drop to 70 sq mm.

**Current, length (twin) to area (sq mm)
12.6V DC, current carrying capacity (CCC) (top)
then follows 5% volt drop to 70 sqmm**

		Current in amps										
		12	16	20	25	32	50	63	80	106	125	155
length, red & black metres	1	1	1.5	2.5	4	6	10	16	25	35	50	70
	2	2.5	2.5	4	4	6	10	16	25	35	50	70
	3	4	4	6	6	10	16	16	25	35	50	70
	4	4	6	6	10	10	16	25	25	35	50	70
	5	6	6	10	10	16	25	25	35	50	50	70
	6	6	10	10	16	16	25	25	35	50	70	70
	7	10	10	16	16	16	25	35	50	70	70	over
	8	10	10	16	16	25	35	50	50	70	over	
	9	10	16	16	25	25	35	50	70	over		
	10	10	16	16	25	25	50	50	70			
	11	10	16	16	25	25	50	70	70			
	12	16	16	25	25	25	50	70	over			
	13	16	16	25	25	35	50	70				
	14	16	16	25	25	35	70	70				
	15	16	25	25	25	35	70	over				
	16	16	25	25	35	50	70					
	17	16	25	25	35	50	70					
	18	16	25	25	35	50	70					
	19	25	25	25	35	50	over					
	20	25	25	35	50	50						
30	35	35	50	70	over							
40	35	50	70	over								
50	70	70	over									
60	70	over										
70	over											

Please fill in all details correctly.

Retain this card with original purchase invoice for any future warranty claim.

Please note in the event of this document and the original purchase invoice not being provided, warranty will commence from the date of manufacture.

Owner’s Details:

Surname..... Initial.....

Address.....

.....

Date of Purchase..... Purchased from.....

Model..... SerialNumber.....

Installer’s Details

Date of Installation..... Installer’s Name.....

Address.....

Installer’s Signature.....